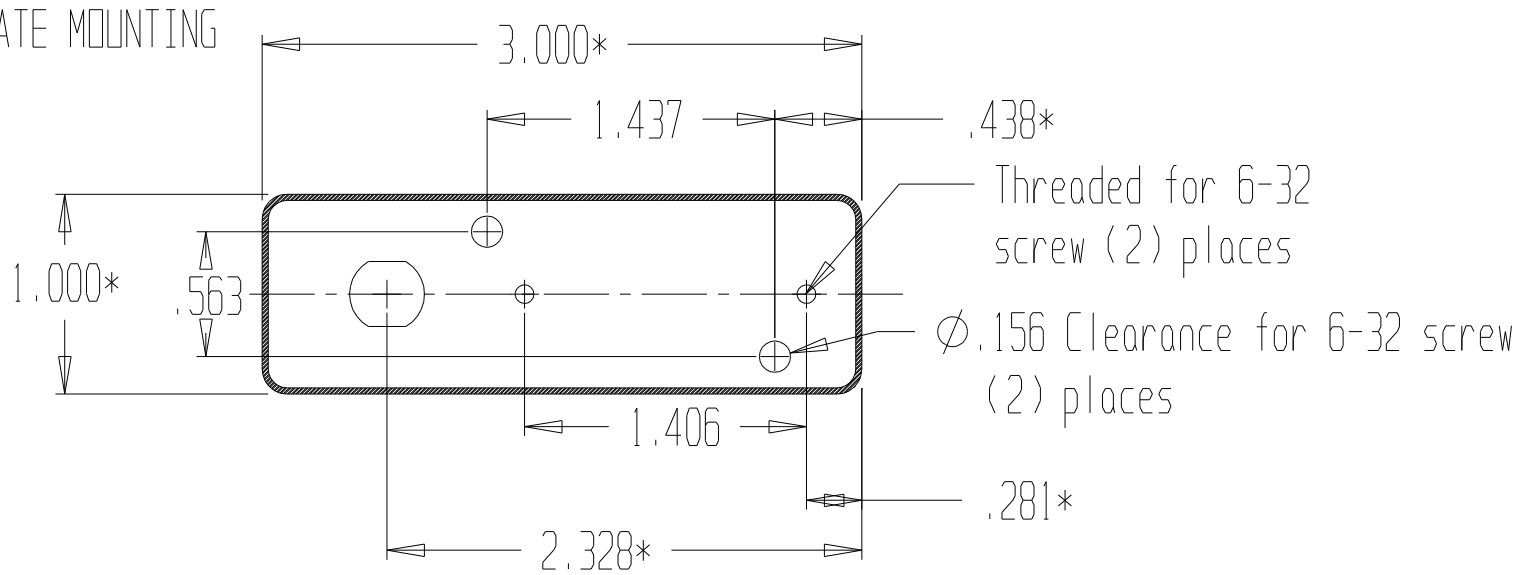
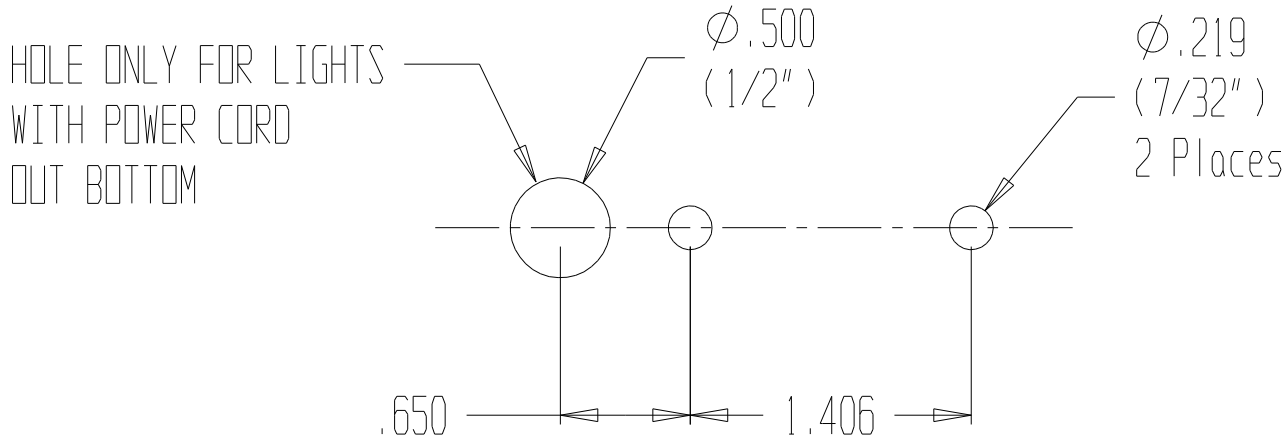


BOTTOM PLATE MOUNTING



NOTE: \* Dimensions are from outside edges of chassis.

DRILLING TEMPLATE FOR FLUSH MOUNTING



Littlite LLC., 10087 Industrial Dr Hanburg MI, 48139,  
Phone, (810) 231-9373 Fax, (810) 231-1631

All designs, construction and other disclosures set forth herein are the property of Littlite LLC. and such information is imparted to you in confidence. In accepting this information you agree not to reproduce it, to manufacture it, disclose it, or have it manufactured in whole or in part without written permission of Littlite LLC.

Bottom Plate Drawing  
and Mounting Dimensions  
File # Bottom Plate Spec.prt  
3/21/12 JD REV A