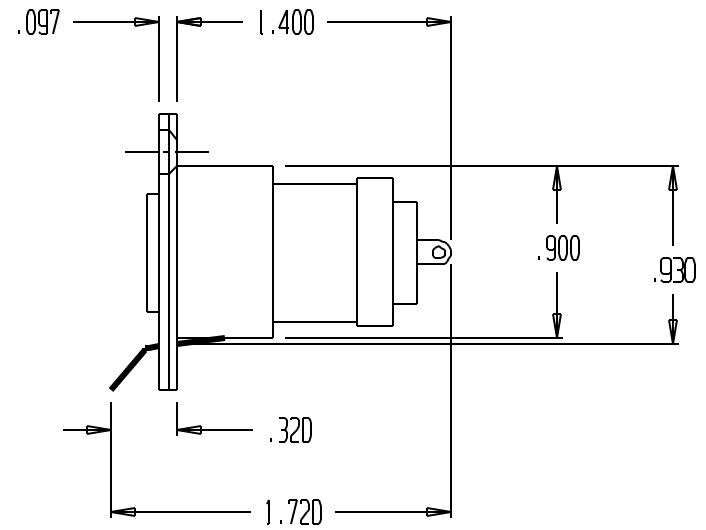
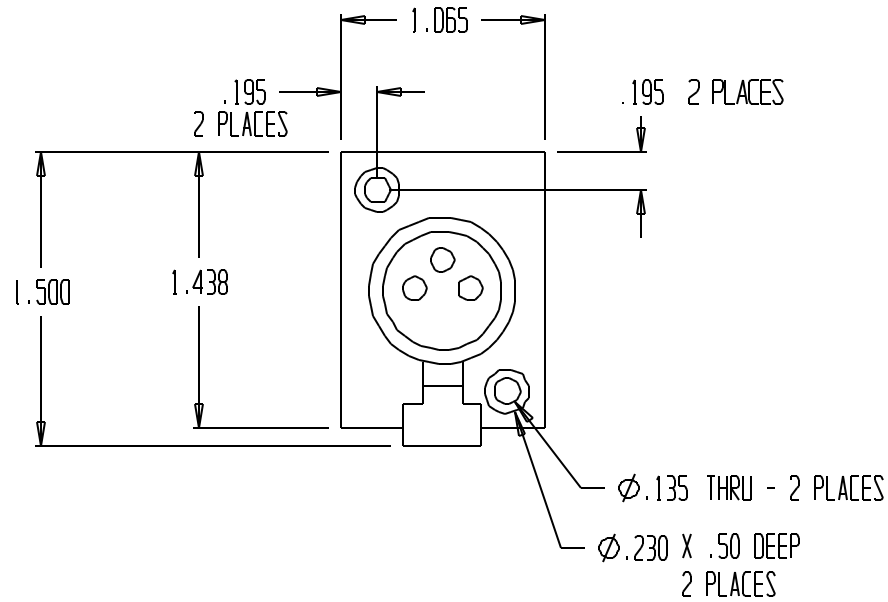


REVISIONS			
REV	DESCRIPTION	DATE	BY



CAE Inc.

p.o. box 430
 Hamburg, Mi. 48139 313-231-9373

PS3 - 3 PIN SOCKET

FILE NAME

DRAWN BY:
 10/18/04 JGD

DWG NO.
 PS3

REV
 A